

PRODUCT INFORMATIONEN
.....**COMPLEMENTARY EQUIPMENT**

Rope pulley blocks

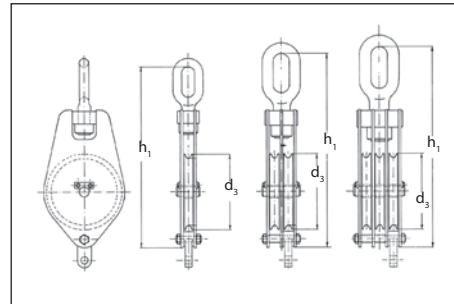
Rope sheaves

.....

Tackle block

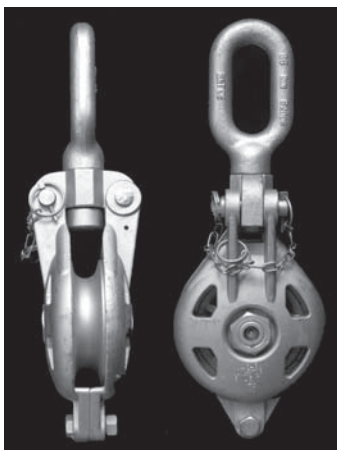
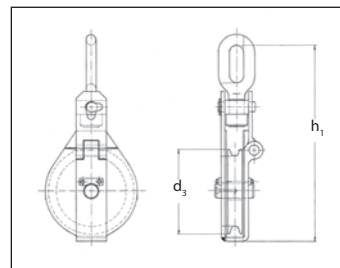
Metall pulley block for steel rope, for board lifting gear,
With swivel oval eye, with or without becket,
Housing: steel, primed
Pulley: grey cast iron with bronze bushing, Lubrication: oil through groove

Nom. Size	Working Load Limit (WLL)	Weight	Rope \varnothing	Rope Pull	Rope Sheave		Height h_1	
					d_3	Number		
	t	~kg	mm	kN	mm		mm	
1	2	8,5	12	10	195	1		430
	3	10				1	S	480
	3,7	16				2		500
	4,5	17				2	S	450
	5,4	26				3		480
	6,1	28				3	S	500
2	4	24	16	20	260	1		605
	6	27				1	S	635
	7,5	30				2		675
	9,1	34				2	S	625
	10,7	55				3		650
	12,2	60				3	S	675
3	6,3	39	20	32	320	1		740
	9,5	43				1	S	790
	11,7	69				2		820
	14	80				2	S	765
	17	98				3		820
	19	104				3	S	850



S = with becket

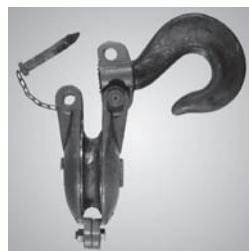
The configuration described is standard. Optionally available: suspension swivel stud eye, swivel double lug or fixed bow, special coated housing, pulley material cast iron or steel, roller bearing, housing and sheave stainless steel.



Snatch Block COA-150

Metall pulley block for steel rope, single-sheave, compact construction, versatile, for rope dia up to 28mm, WLL 10t, rope pull 50 kN, sheave-dia 150mm, with swivel oval eye (standard),

or with swivel hook (optional), see picture on the right

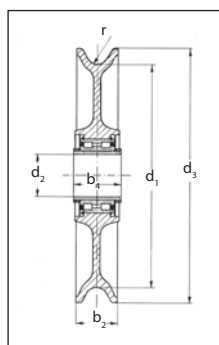


Snatch block

Metall pulley block for steel rope, Single-sheave, with swivel oval eye,
Housing: steel, primed,
Pulley: grey cast iron with bronze bushing,
Lubrication: through centre pin

Nom. Size	Working Load Limit (WLL)	Weight	Rope \varnothing	Rope Pull	Rope Sheave d_3	Height h_1
1	2	5	14	10	135	310
2	4	13	18	20	180	430
3,2	6,3	21	22	32	220	520
4	8	28	24	40	260	590
5	10	42	28	50	290	660
6,3	12,5	55	32	63	330	750

The configuration described is standard. Optionally available: suspension swivel stud eye, swivel double lug or fixed bow, special coated housing, pulley material cast iron or steel, roller bearing, housing and sheave stainless steel.



Pulley

No standardised configuration due to multitude of requirements. When ordering please indicate rope diameter (steel or fibre rope), pulley diameter d3, hub width b4, bore d2; if required or known: groove radius r, maximum axial load, bearing (none, bronze bush, roller bearing).



Pulley block (fibre rope)

Metal pulley block for fibre rope, with swivel oval eye, with becket
Housing: steel, black varnish

Nominal Size	Working Load Limit (WLL)	Weight	Rope		Rope Sheave		Height
			d ₁	d ₃	Number	h ₁	
	t	kg	mm	mm		mm	
75	0,1	0,8			1	210	
	0,15	1,3			2	230	
	0,25	1,8	10	75	3	245	
	-	-			1 K	-	
90	0,15	1,5			1	240	
	0,25	2,4			2	290	
	0,5	3,4	13	90	3	310	
	0,15	1,7			1 K	240	
100	0,25	2,0			1	285	
	0,5	3,4			2	350	
	1	4,8	16	100	3	365	
	0,25	2,1			1 K	285	
120	0,5	3,2			1	335	
	0,75	5,0			2	370	
	1	6,8	19	120	3	400	
	0,5	3,4			1 K	335	

K = Snatch block

Standardised design. Optionally available are swivel hook, specially coated housing, rope sheave made from grey cast iron with bronze bushing, rope sheave made from steel, with roller bearing, or housing and sheave made from stainless steel.

Pulley block (steel rope)

Metal pulley block for steel rope, with swivel oval eye, with becket,
Housing: steel, primed,
Sheave: grey cast iron, with bronze bushing, Lubrication through centre pin

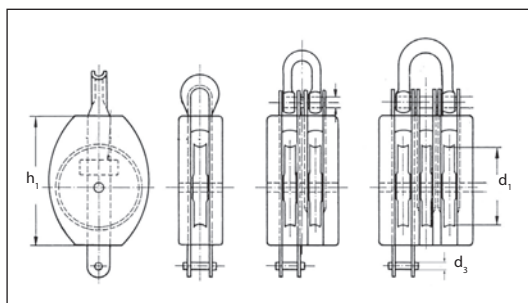
Nominal Size	Working Load Limit (WLL)	Weight	Rope	Rope Pull	Rope Sheave	Number of Sheaves	Height
	t	~kg	mm	kN	d ₃		h ₁
100	0,5	3,3			100	1	330
	1	5	7	2,5	100	2	355
	1,6	6,6				3	375
125	1	4,6			125	1	365
	1,6	7	9	5	125	2	390
	6,1	10				3	405
150	2	8			150	1	430
	3	12	11	10	150	2	455
	5	20				3	540

Standardised design. Optionally available are swivel hook, swivel stud eye, swivel double lug, or fixed bow eye as head fittings, specially coated housing, rope sheave made from spheroidal iron, or steel, with roller bearing, or housing and sheave made from stainless steel.



Wooden block

Wooden tackle block for fibre rope, with fixed bow, with becket
Housing: beechwood varnished
Sheave: polyamide or metal



Nominal Size	Working Load Limit (WLL)	Weight	Rope	Rope Pull	Rope Sheave		Length of Housing
	t	kg	mm	kN	d ₃	Number	h ₁
7	0,66	2			110	1	180
	1,1	3,6	18	2,2	110	2	480
8	0,78	3			120	1	205
	1,3	5,3	20	2,6	120	2	205
9	0,9	4			130	1	230
	1,5	6,5	22	3,0	130	2	230
10	1,1	5			145	1	255
	1,8	7,2	24	3,6	145	2	255

And more ...