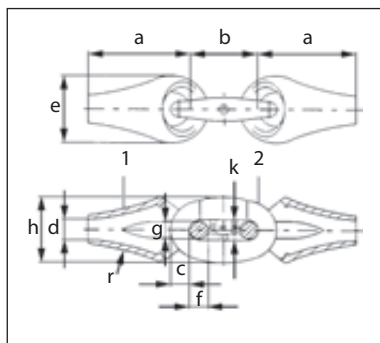


PRODUCT INFORMATION

END FITTINGS

Demag



Pear shape rope socket

DEMAG standard

Nominal Size	Nominal Rope Diameter	Weight	Measurements										
			a	b	c	d	e	f	g	h	k	r	
	mm	~kg/ea	mm	mm	mm	mm	mm	mm	mm	mm	mm	mm	mm
1	10	0,3	69	48	12	12	48	12	11,75	48	14	195	
2	11+12	0,4	78,5	56	14	15	56	15,5	13,75	57	18	195	
3	13+14	0,6	90,5	64	16	18	64	17,5	15,75	65	20	220	
4	15+16	1,0	102,5	72	18	20	70	19,5	17,75	73	22	220	
5	18	1,3	114	80	20	22	84	21	19,5	81,5	24	245	
6	19+20	1,6	129	88	22	24	84	23	21,5	89,5	26	310	
7	22+24	2,4	140	96	24	28	100	26	23,5	99,5	30	310	
8	26	2,6	158	104	26	31	100	28	25,5	105,5	32	350	
9	28	3,6	171	112	28	34	120	31	27,5	115,5	34	350	
10	32	4,4	190	120	30	38	120	32	29	123	36	445	
11	35	6,0	203	132	33	40	142	36	31	135	40	445	
12	36	7,5	225	144	36	42	142	39	35	147	44	495	
13	40	9,0	242	165	39	46	166	43	37	161	48	555	
14	44	12	265	168	42	51	166	47	41	173	52	595	
15	48	13	286	180	45	56	166	49	43	183	54	595	
17	64	30	400	250	75	75	250	75	60	270	80	950	

Tolerances: Nominal Size 1 to 5 = d+1,5 mm; Nominal Size 6 to 11 = d+2 mm;

Nominal Size 12 to 17 = d+2,5 mm

1 = Pear type rope socket; 2 = Shackle

No rough edges ...
Connectors for steel wire rope
in crane systems, developed
by specialists



End Fittings

Rope socket with wedge

Nominal size 1 to 15
Rope dia. 8 to 45mm

