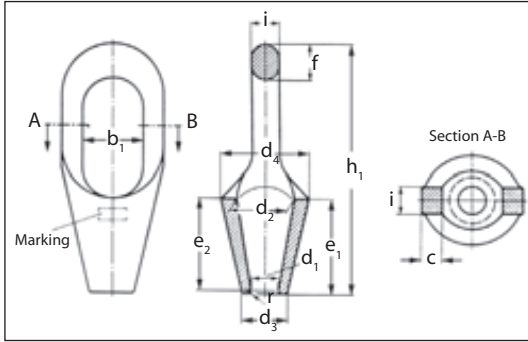


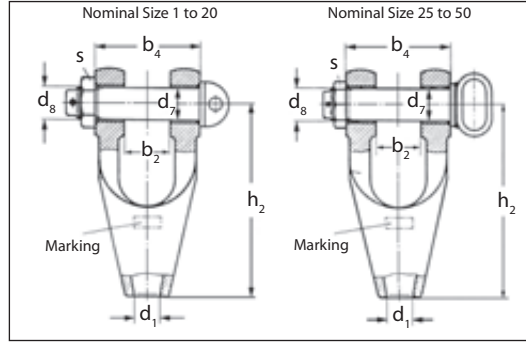
PRODUCT INFORMATION

END FITTINGS**Spelter sockets**

Closed socket



Open socket



Closed socket A type

DIN 83313

Nominal Size	Working Load Limit (WLL)	Weight	Rope Diameter		Measurements												
			from	to	b ₁	c	d ₁	d ₂	d ₃	d ₄	e ₁	e ₂	f	h ₁	i	r	
	t	~ kg/ea	mm	mm	mm	mm	mm	mm	mm	mm	mm	mm	mm	mm	mm	mm	
1	1	0,4	10	12	30	8	14	30	26	45	50	48	15	130	12	2	
1,6	1,6	0,7	12	14	37	12	17	36	30	55	60	57	19	155	15	3	
2,5	2,5	1,2	14	18	45	14	20	42	33	62	69	66	24	182	19	3	
3	3,15	1,5	16	20	50	16	22	47	36	69	78	75	26	202	21	3	
4	4	2,0	18	22	54	18	24	51	40	76	84	81	30	220	24	3	
5	5	3,1	20	24	60	20	27	57	44	85	94	90	34	245	27	4	
6	6,3	4,2	22	28	67	23	30	64	49	94	106	102	38	275	30	4	
8	8	5,8	26	30	73	26	33	70	54	103	115	111	42	300	33	4	
10	10	8,0	28	34	80	29	36	76	60	112	125	120	45	330	36	5	
12	12,5	11	32	38	89	32	40	85	67	125	140	135	51	370	41	5	
16	16	15	36	44	100	35	45	96	75	140	159	153	56	415	46	6	
20	20	20	40	50	110	40	50	106	84	156	174	168	62	460	50	6	
25	25	27	44	54	120	43	55	116	93	173	190	183	69	505	55	7	
32	31,5	35	50	62	132	48	60	127	104	188	209	201	76	555	61	8	
40	40	50	58	72	150	54	68	144	117	212	237	228	85	630	68	9	
50	50	67	62	76	165	60	75	159	130	235	262	252	94	695	75	10	

Material GS 45.1

Open socket C type

DIN 83313



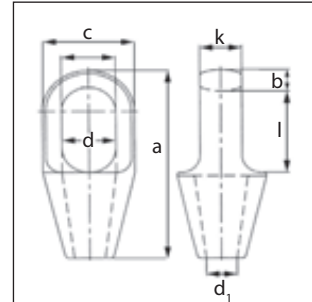
Nominal Size	Working Load Limit (WLL)	Weight	Rope Diameter		Measurements							
			from	to	b ₂	b ₄	d ₁	d ₇	d ₈	h ₂	s	
	t	~ kg/ea	mm	mm	mm	mm	mm	mm	mm	mm	mm	mm
1	1	0,6	10	12	21	47	14	16	M 16	105	22	
1,6	1,6	1,1	12	14	27	61	17	20	M 20	125	27	
2,5	2,5	1,8	14	18	33	75	20	24	M 24	148	32	
3	3,15	2,4	16	20	38	86	22	27	M 27	165	36	
4	4	3,2	18	22	42	96	24	30	M 30	180	41	
5	5	5,0	20	24	47	107	27	36	M 36	200	46	
6	6,3	6,7	22	28	53	121	30	39	M 39	220	50	
8	8	9,5	26	30	60	136	33	45	M 45	242	55	
10	10	13	28	34	66	150	36	48	M 48	265	60	
12	12,5	17	32	38	73	167	40	52	M 52	296	65	
16	16	24	36	44	81	185	45	60	M 60	332	75	
20	20	31	40	50	90	206	50	68	M 68	365	85	
25	25	41	44	54	100	226	55	72	M 72x6	405	90	
32	31,5	55	50	62	110	250	60	80	M 80x6	440	100	
40	40	80	58	72	125	283	68	90	M 90x6	500	110	
50	50	105	62	76	140	316	75	100	M 100x6	550	120	

Material GS 45.1

Closed socket HA type

SEL 1301 A

Nominal Size	Minimum Breaking Force	Weight	Rope Diameter		Measurements							
			from	to	a	b	c	d	d ₁	k	l	
	kN	~ kg/ea	mm	mm	mm	mm	mm	mm	mm	mm	mm	mm
198	196	0,7	11	13	140	17,5	51	30	14	22,5	59	
199	245	1,3	14	16	162	21	67	36	17,5	26	65	
200	392	2,1	18	19	194	27	76	42	21	32	78	
201	539	3,6	20	22	224	33	92	47	24	38	90	
204	735	5,3	23	26	253	36	104	57	28	44	103	
207	882	7,0	27	30	282	39	114	63	32	51	116	
212	1230	9,7	31	36	312	43	127	70	38	57	130	
215	1470	13	37	39	358	51	136	79	41	63	155	
217	1670	17	40	42	390	54	146	83	44	70	171	
219	2210	26	43	48	443	55	171	93	51	76	198	
222	2740	38	49	54	502	62	193	100	57	82	224	
224	3530	50	55	60	548	73	216	112	63	92	247	
226	4170	65	61	68	597	79	241	140	73	102	270	
227	4510	94	69	75	644	79	273	159	79	124	286	
228	5490	110	76	80	686	83	292	171	86	133	298	
229	6130	145	81	86	743	102	311	184	92	146	311	
230	7060	168	87	93	788	102	330	197	99	159	330	



Material GS 52.3

Load...

... not to breakage, but to permissible load limit only! This is significantly less than breaking force and depends on factors relevant to application (safety factor, design factor, formula). Therefore: Do not confuse breaking force with load capacity (WLL, lashing force, working load, etc.) and calculate in adherence to existing rules (regulations, standards).

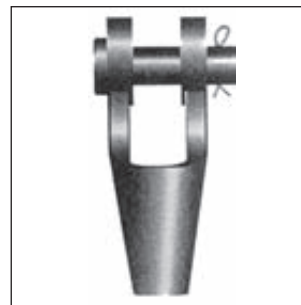
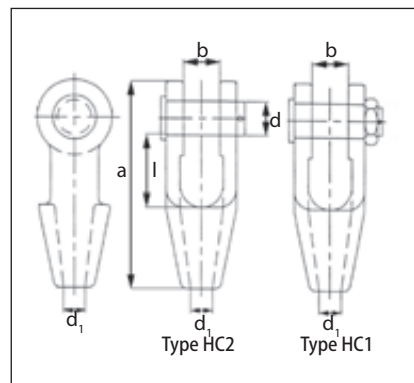
Open socket HC type

SEL 1301 C

Nominal Size	Minimum Breaking Force	Weight	Rope Diameter		Measurements					
			from	to	a	b	d	d ₁	l	
	kN	~ kg/St	mm	mm	mm	mm	mm	mm	mm	mm
098	196	1,0	11	13	142	25	25	14	51	
099	245	1,8	14	16	171	32	30	17,5	63	
100	392	3,2	18	19	205	38	35	21	76	
104	539	4,6	20	22	235	44	41	24	89	
108	735	8,0	23	26	275	51	51	28	101	
111	882	11	27	30	306	57	57	32	114	
115	1230	16	31	36	338	63	63	38	127	
118	1470	23	37	39	394	76	70	41	162	
120	1670	27	40	42	418	76	76	44	165	
125	2210	41	43	48	468	89	89	51	178	
128	2740	58	49	54	552	101	95	57	228	
130	3530	85	55	60	598	113	108	63	250	
132	4170	118	61	68	654	127	121	73	273	
135	4510	155	69	75	696	133	127	79	279	
138	5490	173	76	80	737	146	133	86	286	
140	6130	230	81	86	788	159	140	92	298	
142	7060	265	87	93	852	171	152	99	318	

Material GS 52.3

Type HC1 = with nut and split pin (optional)
 Type HC2 = with split pin (standard)



Inside dimension of cone should allow transmission of the minimum rope breaking force. Minimum cone diameter 1.1x rope diameter +4mm.

End Fittings